

smartButt

brief description:

The brand new *smartButt* is the ONLY stop butt hinge with a 93° stop incorporated into a fully rounded knuckle. Superbly made and finished in the UK.

main features:

- a simple, robust, 93° stop is subtly incorporated into the innovative round knuckle
- therefore no need for a square knuckle
- square corners lends itself to fitting with hand tools
- accurate, consistent dimensions make it super-easy to fit
- simple, elegant design
- beautifully made and finished in the UK
- no cleaning up and 'adapting' as with so many other hinges
- available in polished brass, stainless steel and gold-plated

full introduction and context:

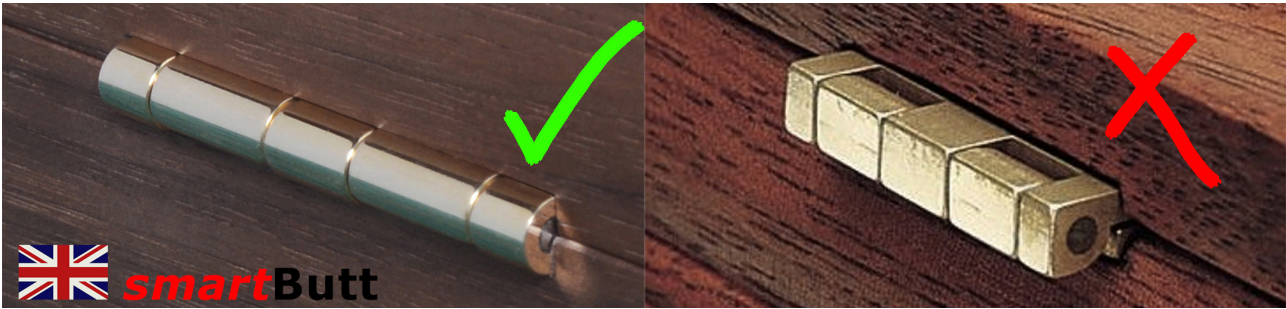
The newest addition to the 'smart' stable, the *smartButt* is the first genuinely new box hinge since I introduced the equally ground-breaking *smartHinge* way back in 2011.

Designed for those who prefer the look of a traditional butt hinge to the now common side-rail hinges, it is the ONLY stop butt hinge with a 93° stop incorporated into its fully rounded knuckle.

There are plenty of other stop butt hinges on the market, but they all depend on square knuckles.

Crucially this means that it's not possible to fit them in the optimum position with the centre of the pin in line with the back of the box.

Instead, to allow the knuckle to rotate, the whole of the square knuckle has to jut out past the back of the box:



Additionally, fitting hinges with square knuckles means that a wide gap opens up between the box and lid when open, which many consider unsightly:



These unsatisfactory compromises are now at last completely unnecessary with the new *smartButt* - superbly made and finished in the UK and available direct from the smartBoxmaker.com website.

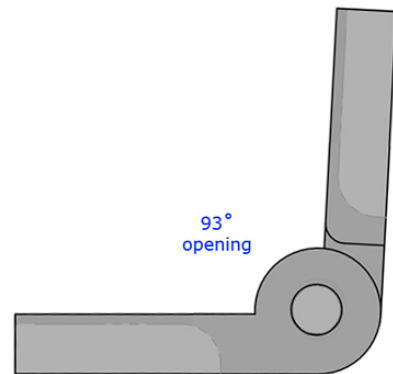
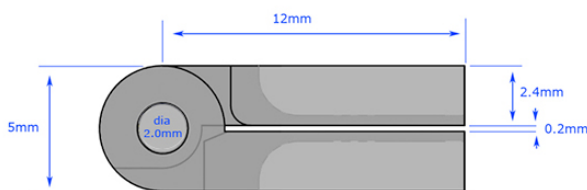
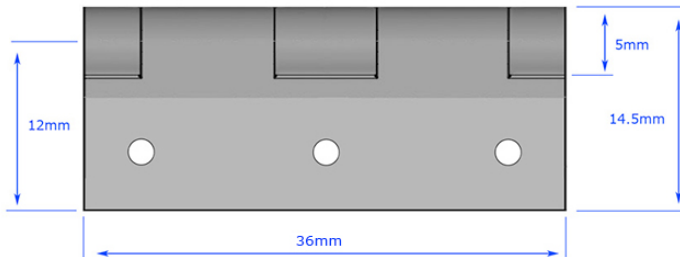
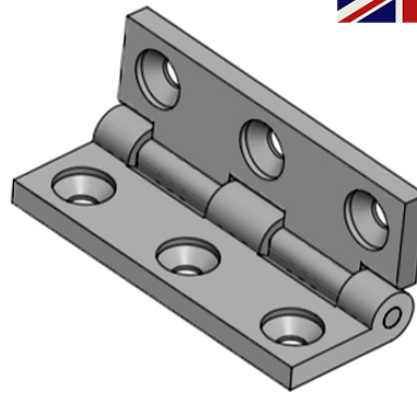
full list of features:

- *smartButt* has a unique, robust, round knuckle incorporating a hidden stop at 93°. It features 5 unequal width fingers, formulated to be the perfect combination of strength and function.
- a round knuckle allows the hinge to be fitted in the traditional 'correct' position, with the centre of the pin aligned with the back of your box. All other stop butt hinges achieve the stop by having a square, or partially square knuckle which spoils the look of the back of your box as described above.
- there's a 0.2mm gap between the leaves when closed - this ensures that the polished leaves don't make contact with each other when the box is closed. It also allows for a small amount of adjustment if the front of the lid and box don't meet perfectly when closed.
- screw holes are incorporated into shallow vertical chimneys. This places the screw heads fractionally below the surface of the hinge leaves, hiding any shadow that might be present due to inconsistent screw heads.
- designed to be 'through' fitted using 12mm stock, but can be fitted to thicker stock as well.
- no cleaning up or 'adapting' needed as with other hinges, so it's ready to fit straight away. And with a high level of accuracy and consistent dimensions it is super-easy to fit, making it particularly suitable for small batch work.
- as with the other members of the *smartWare* range, *smartButt* is much more than a marginal upgrade of an existing hinge. It has been designed from scratch with every element being carefully considered to ensure that it is the very best stop butt hinge available.
- *smartButt* isn't mass produced - it's made in the UK in small batches with the utmost care to ensure that it's unrivalled in consistency, finish, quality, design and function.
- *smartButt* is a simple, elegant design and will fit in with, and enhance, almost any style of box.
- available in polished brass, stainless steel & gold-plated from smartBoxmaker.com



smartButt dimensions:

smartButt
Andrew Crawford Shropshire, UK
smartBoxmaker.com ACfdb@fine-boxes.com 07939 541627



- leaves are 36mm wide
- leaves are 2.4mm thick and when parallel [closed] there is a 0.2mm clearance between the leaves
- 12mm from edge of leaf to pin centre
- 14.5 front to back
- stop angle 93°
- screws are 5/8" no.4 countersunk brass wood screws, including plenty of spares

© Andrew Crawford
smartBoxmaker
01/02/2024